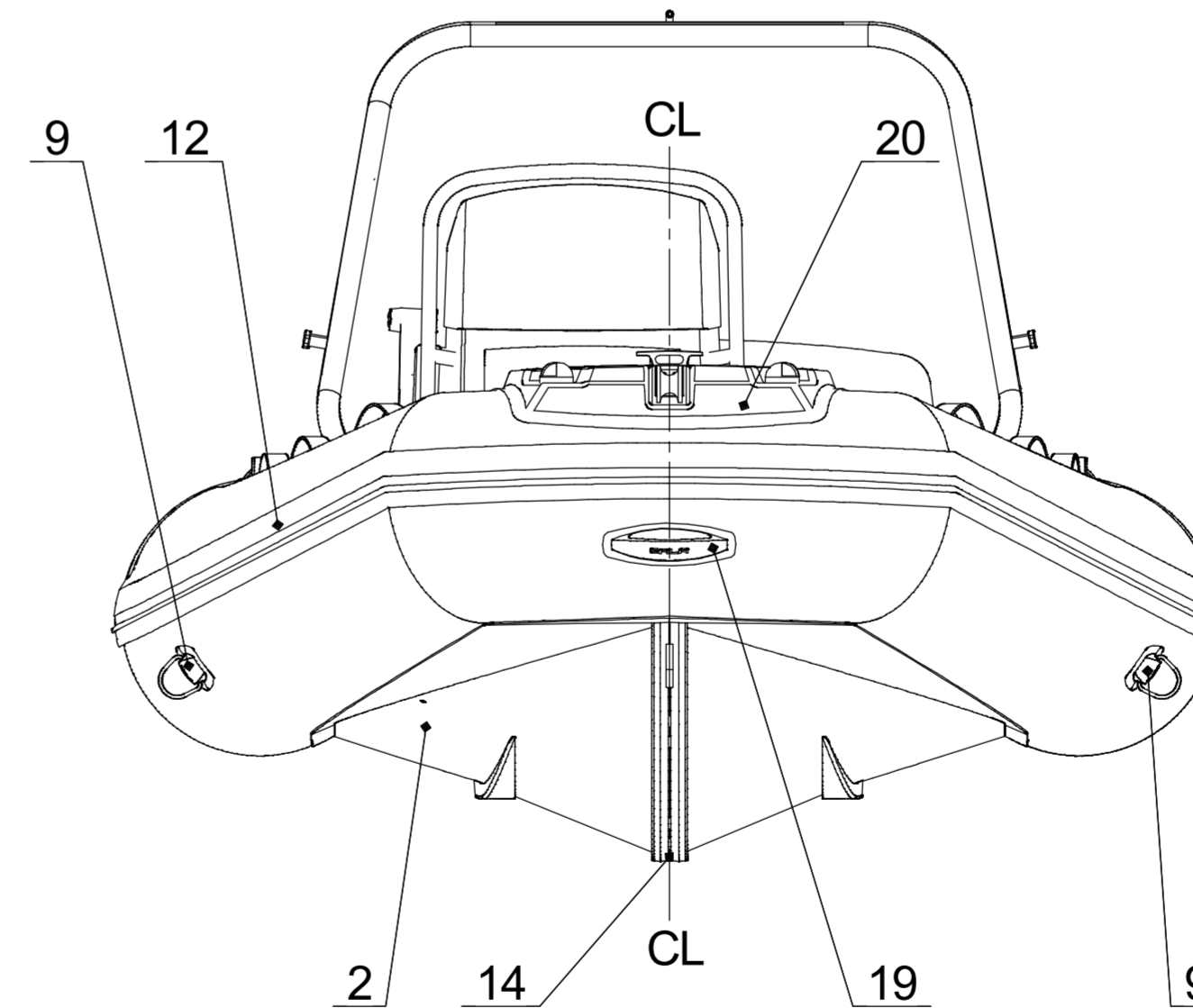
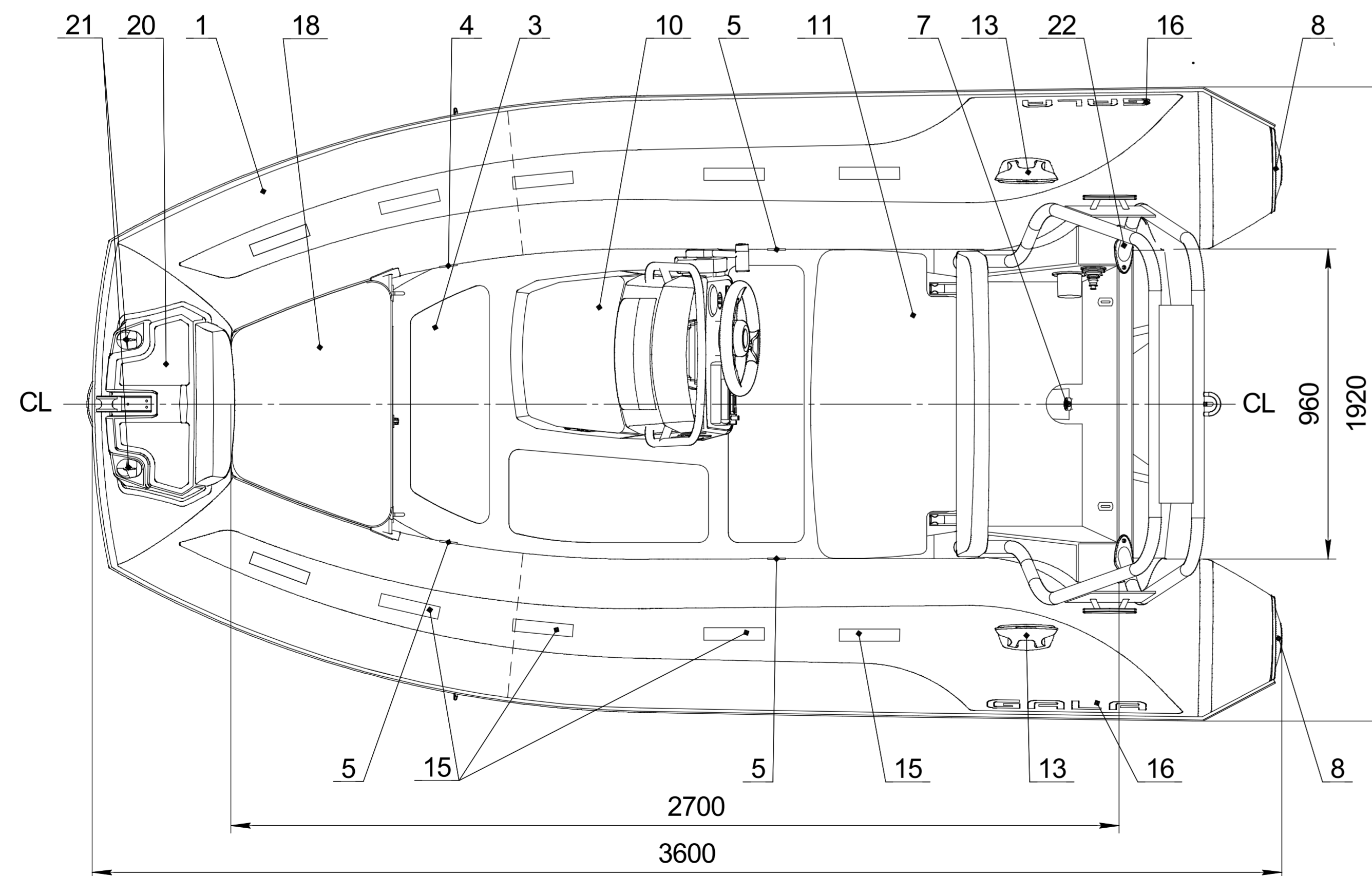
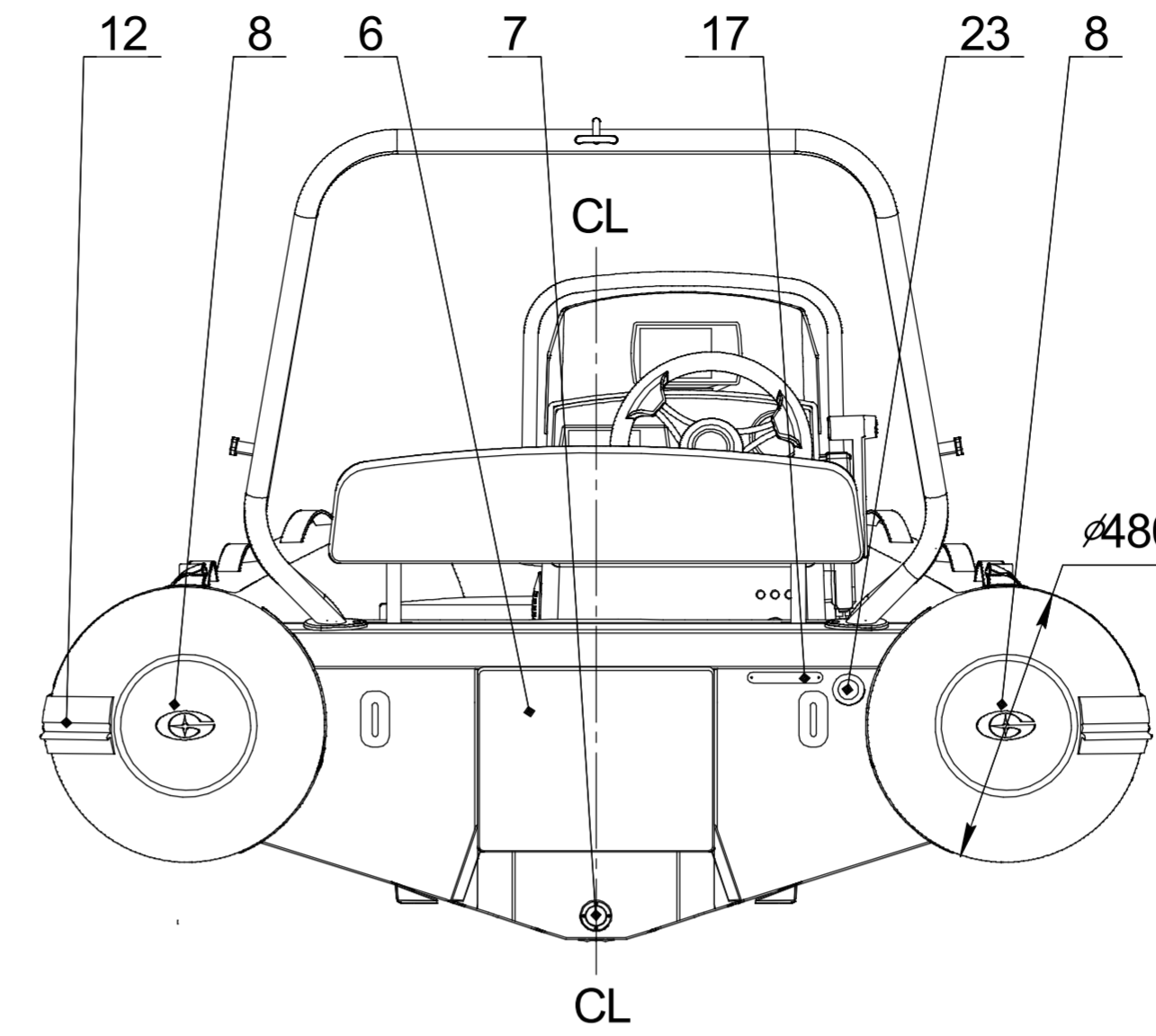
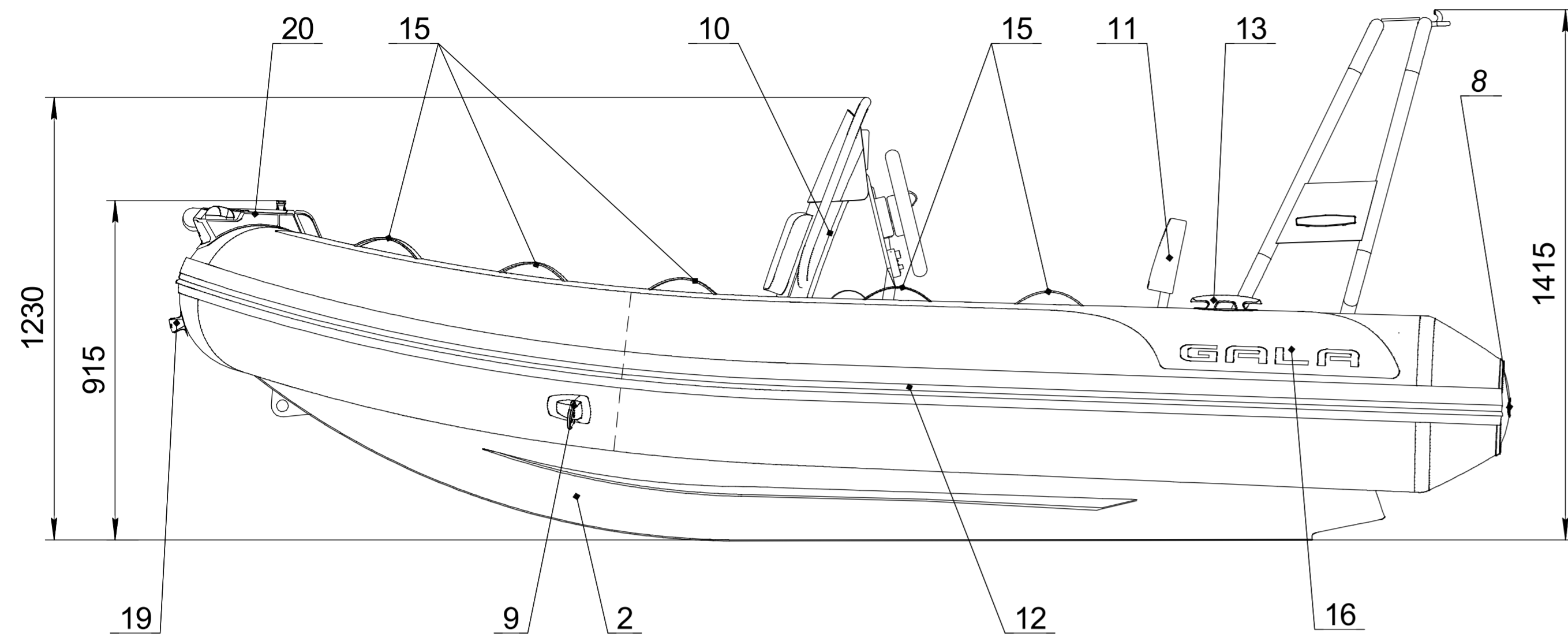


# Inflatable boat GALA Atlantis A360L

Technical drawing



## Builder's plate

**GALA**  
INFLATABLE BOATS

Model **A360L**    6 + 1

700 kg    1540 lbs

29.4 kW    40 HP    Type **VII**

100 kg    220 lbs    Cat. **C**

0.2 bar    2.89 psi    International Standard ISO/FDIS-6185

MADE IN UKRAINE  
 "CALIBR PROF" LLC  
4, Matlakhova Str., Dnipro, UKRAINE

## Boat specification

Item	Item No	Description	Q-ty	Note
1		Inflatable tube for A360L	1	
2		Aluminum hull for A360L	1	
3		Antiskid decking	1	
4		Over-pressure valve	1	
5		Inflation-deflation valve	3	
6		Motor plate external	1	
7		Expanding drain plug	1	
8		Tube end, PVC	2	
9		Towing eye, PVC	2	
10		Steering console C-03	1	
11		Double seat S-02	1	
12		Rubbing strake	1	
13		GALA cleat, PVC	2	
14		Keel protector	1	
15		Safety grab handle	10	
16		GALA logo	2	
17		CIN plate	1	
18		Bow locker cushion	1	
19		GALA handle, PVC	1	
20		Bow step plate №2 with roller	1	
21		Navigation lights	1	
22		Waterski towing arch	1	
23		Bilge pump thru hull	1	
24				

DRAWN	NAME	DATE	ITEM No:
CHECKED			TITLE:
ENG APPR.			<b>GALA Atlantis A360L</b>
MFG APPR.			
Q.A.			
PROPRIETARY AND CONFIDENTIAL THE INFORMATION CONTAINED IN THIS DRAWING IS THE SOLE PROPERTY OF CALIBR PROF LLC		SIZE	DWG. NO.
		SCALE: 1:10	WEIGHT:
			REV
			SHEET 1 OF 1