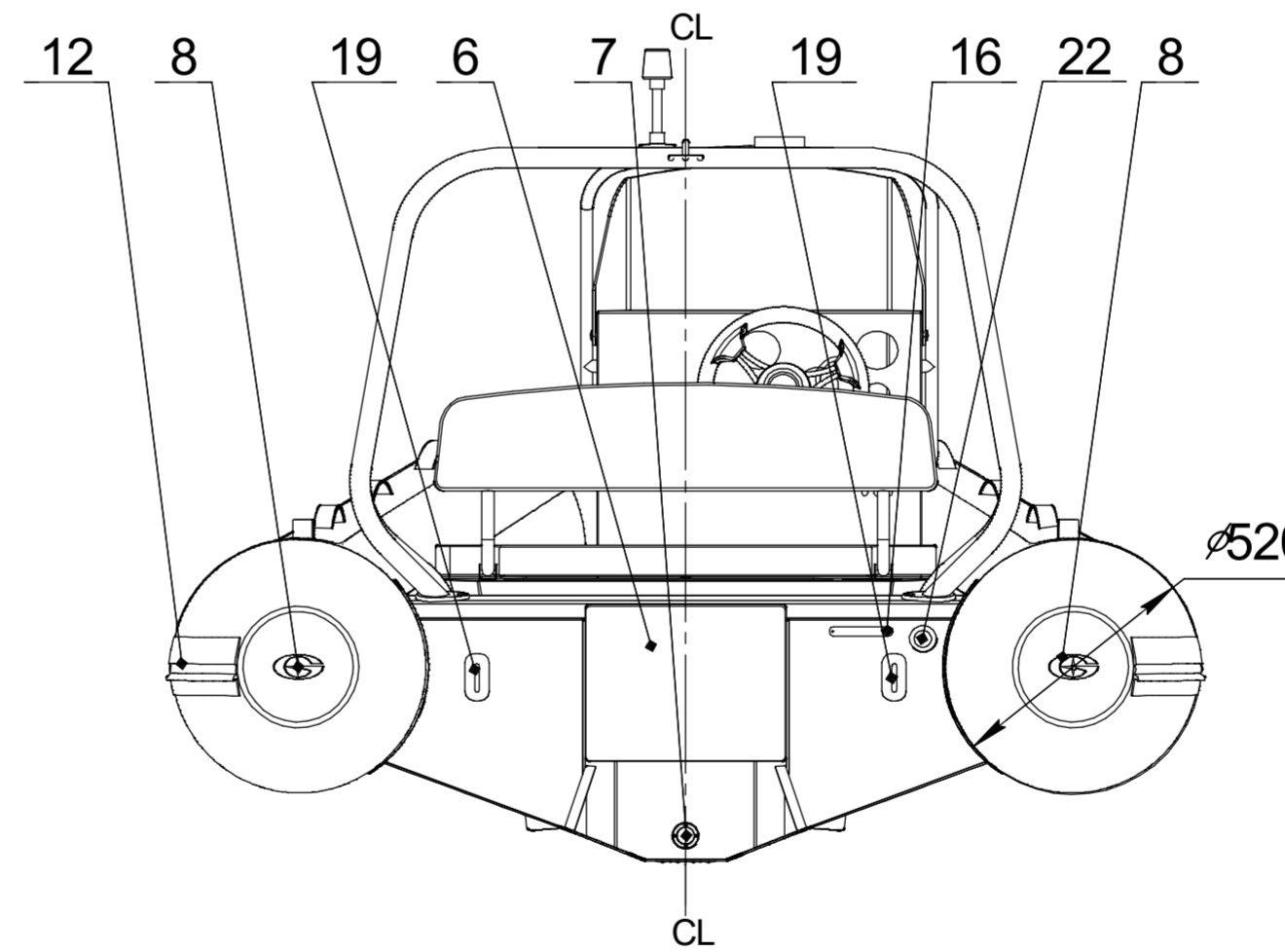
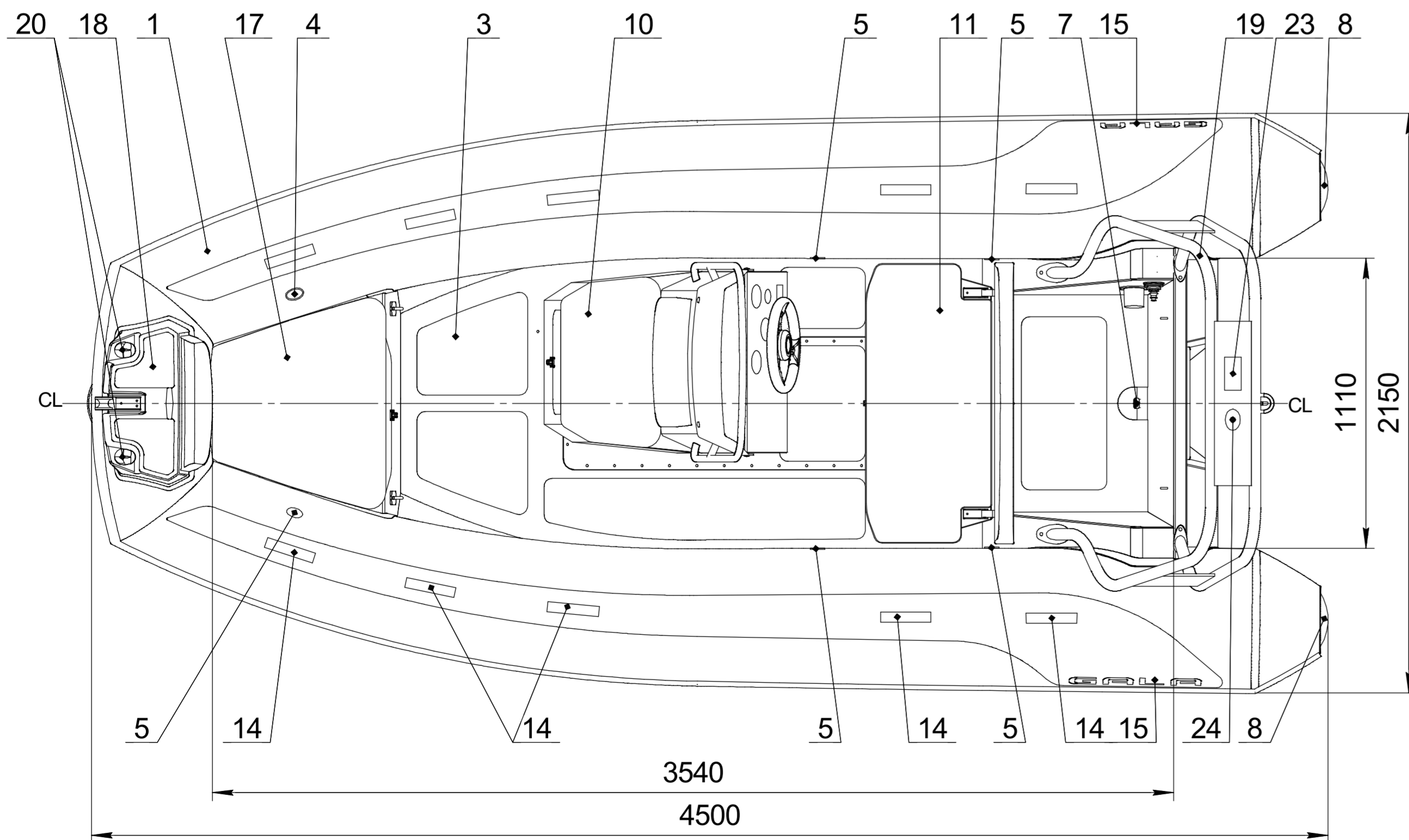
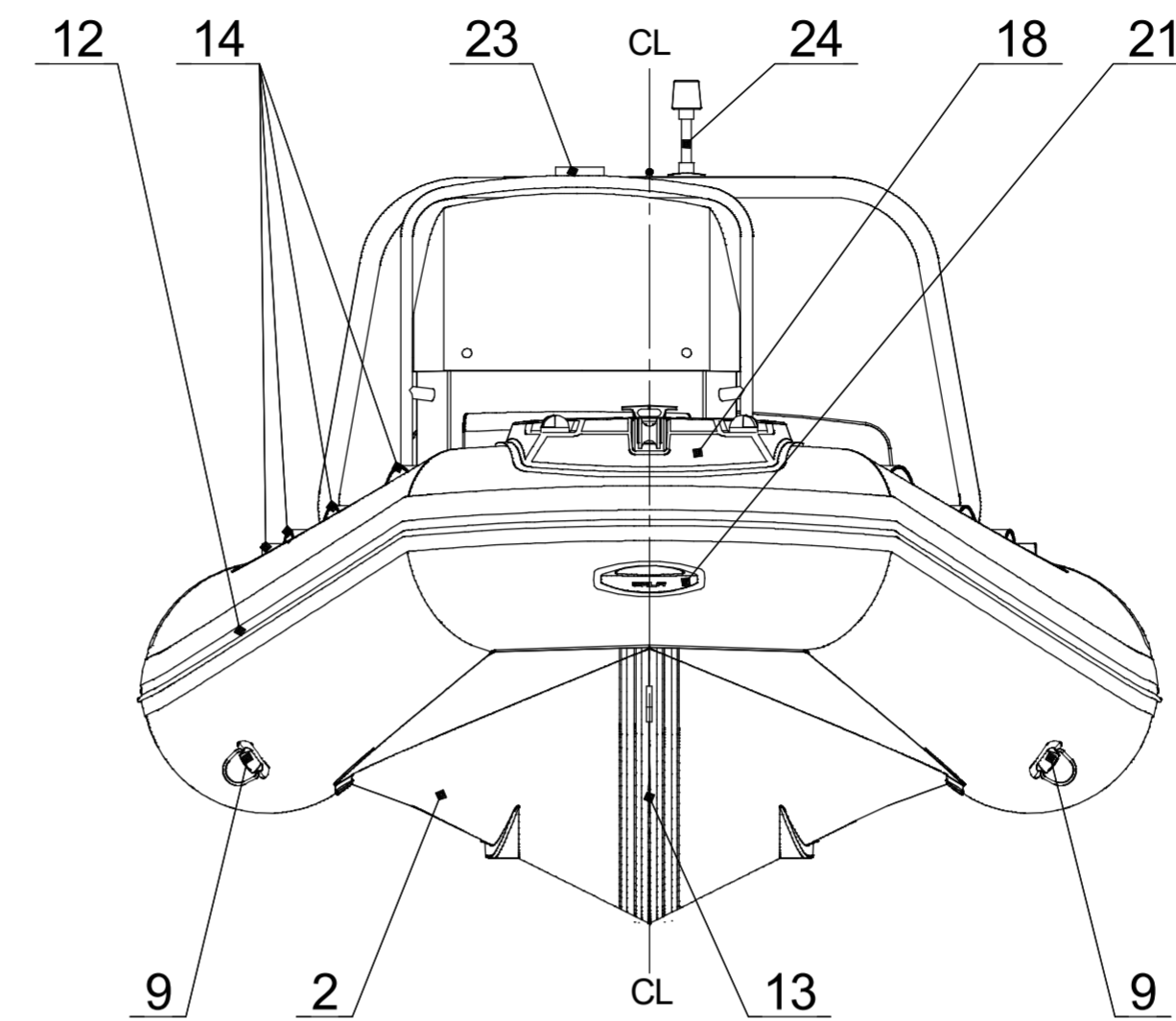
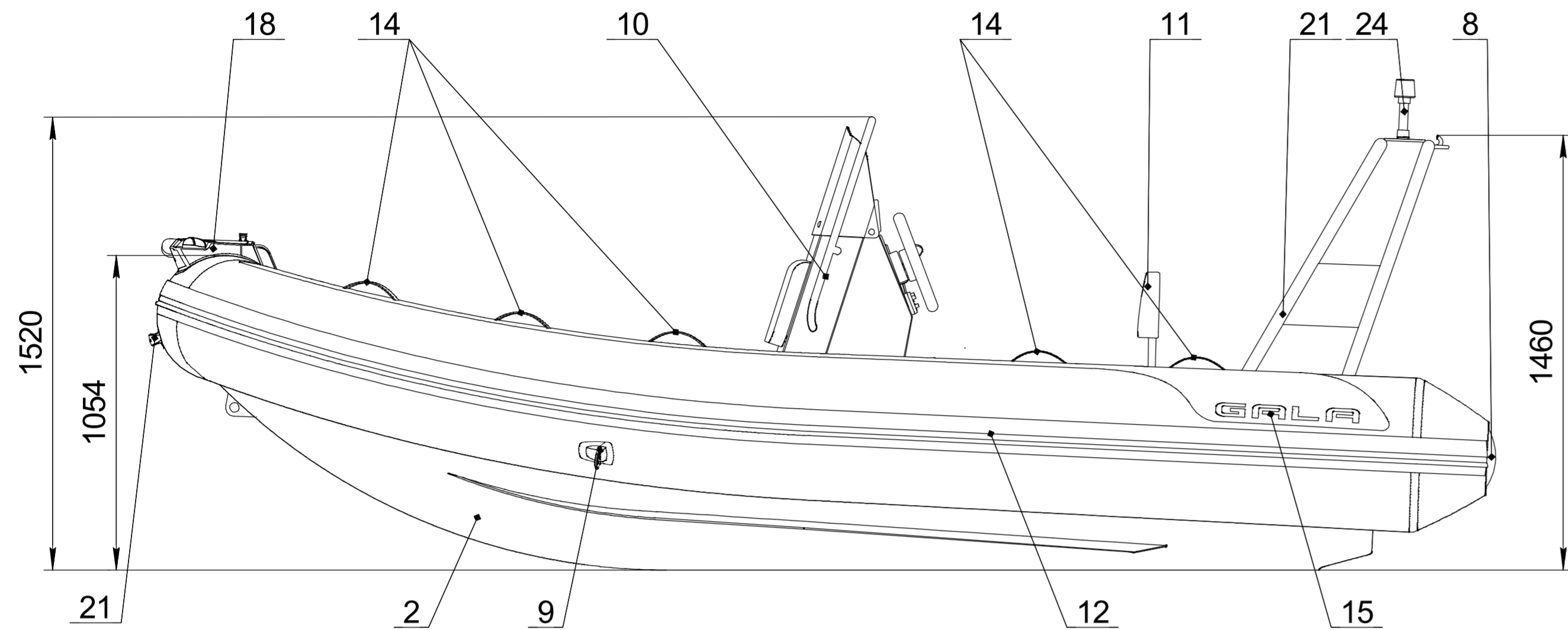


# Inflatable boat GALA Atlantis A450L

## Technical drawing



## Builder's plate

Model	A450L	8	+	8	
Weight	900 kg	1980 lbs			
Power	51.5 kW	70 HP	Type	VII	
Weight	130 kg	286 lbs	Cat.	C	
Pressure	0.2 bar	2.89 psi	International Standard	ISO/FDIS-9188	CE

MADE IN UKRAINE  
 "CALIBR PROF" LLC  
 4, Matkakhova Str., Dnipro, UKRAINE

## Boat specification

Item	Item No	Description	Q-ty	Note
1		Inflatable tube for A450L	1	
2		Aluminum hull for A450L	1	
3		Antiskid decking	1	
4		Over-pressure valve	1	
5		Inflation-deflation valve	5	
6		Motor plate external	1	
7		Expanding drain plug	1	
8		Tube end, PVC	2	
9		Towing eye, PVC	2	
10		Steering console C-05	1	
11		Double seat S-03	1	
12		Rubbing strake	1	
13		Keel protector	1	
14		Safety grab handle	10	
15		GALA logo	2	
16		CIN plate	1	
17		Bow locker cushion	1	
18		Bow step plate №3 with roller	1	
19		Waterski towing arch	1	
20		Navigation light	1	
21		GALA handle, PVC	1	
22		Bilge pump thru hull	1	

DRAWN	NAME	DATE	ITEM No:
CHECKED			TITLE:
ENG APPR.			<b>GALA Atlantis A450L</b>
MFG APPR.			
I.A.			
PROPRIETARY AND CONFIDENTIAL THE INFORMATION CONTAINED IN THIS DRAWING IS THE SOLE PROPERTY OF CALIBR PROF LLC			SIZE: _____ DWG. NO.: _____ REV: _____ SCALE: 1:10 WEIGHT: _____ SHEET 1 OF 1