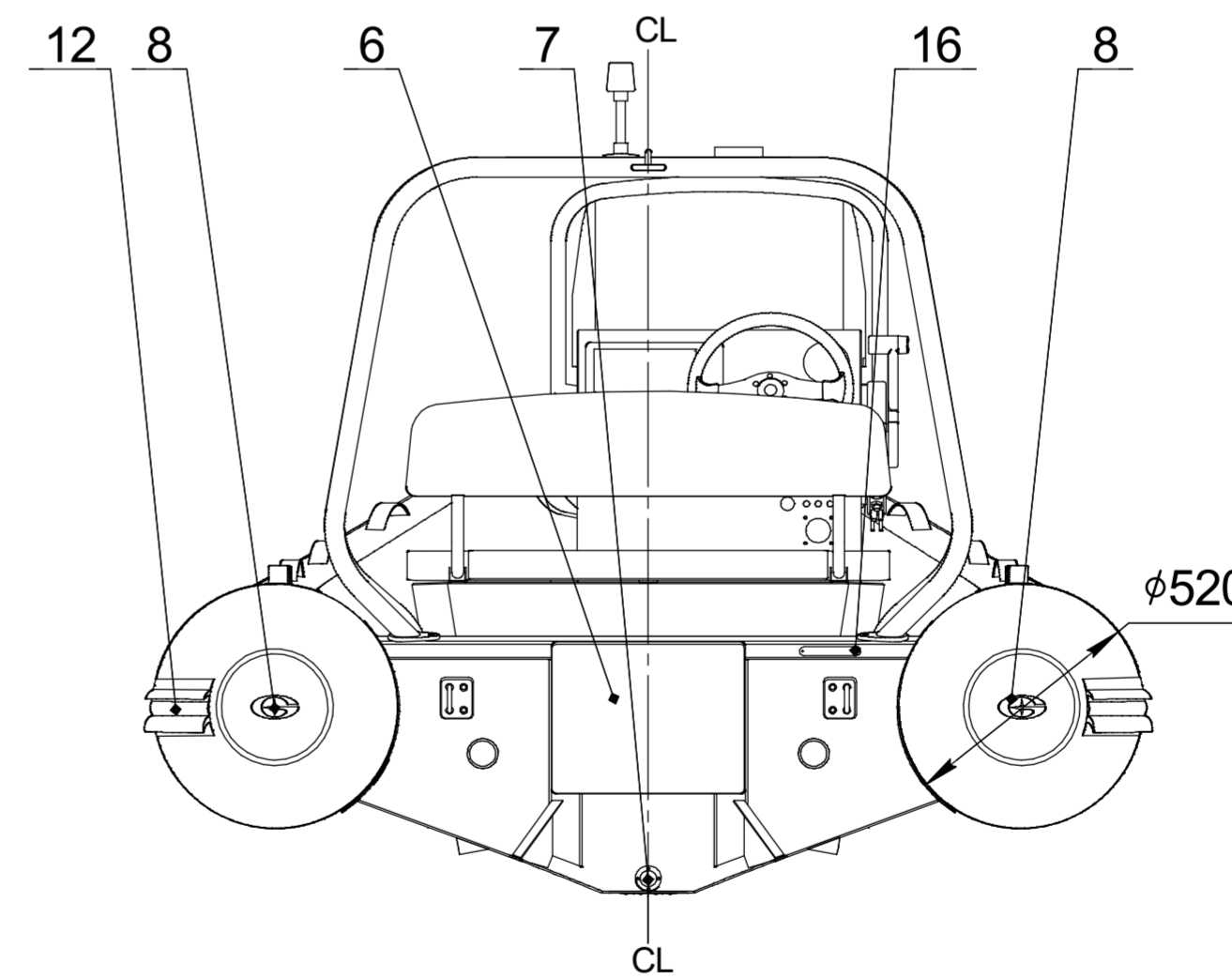
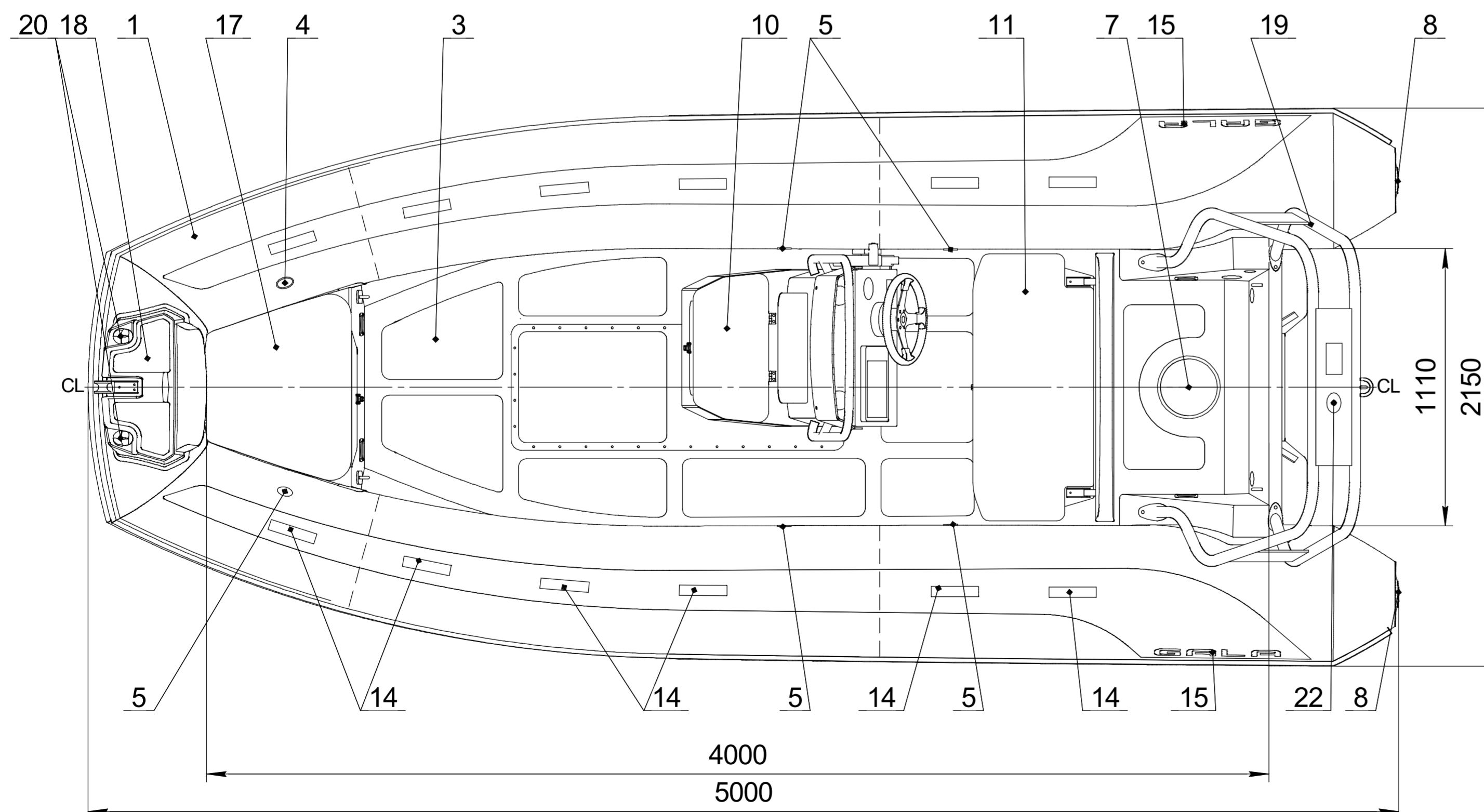
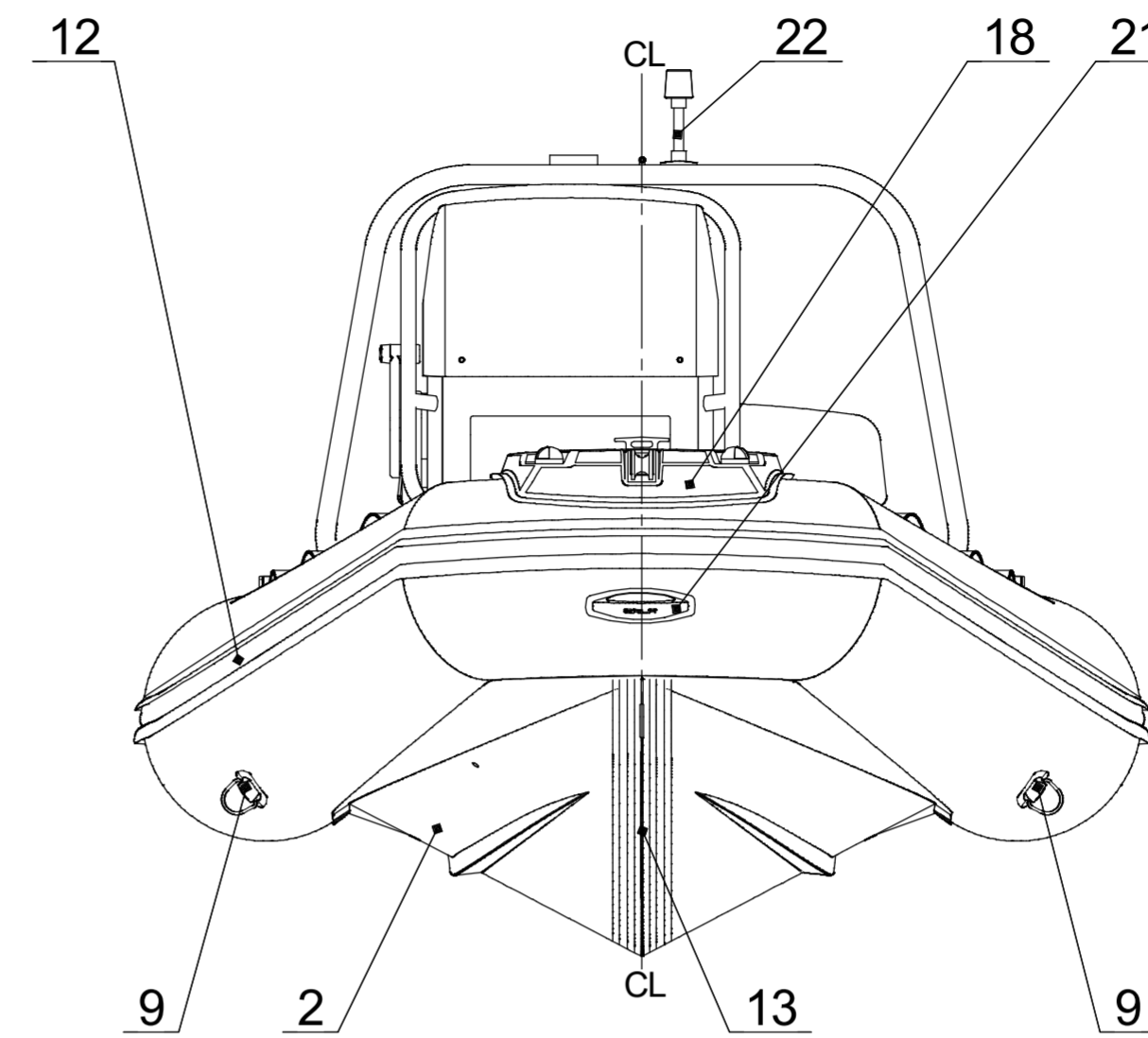
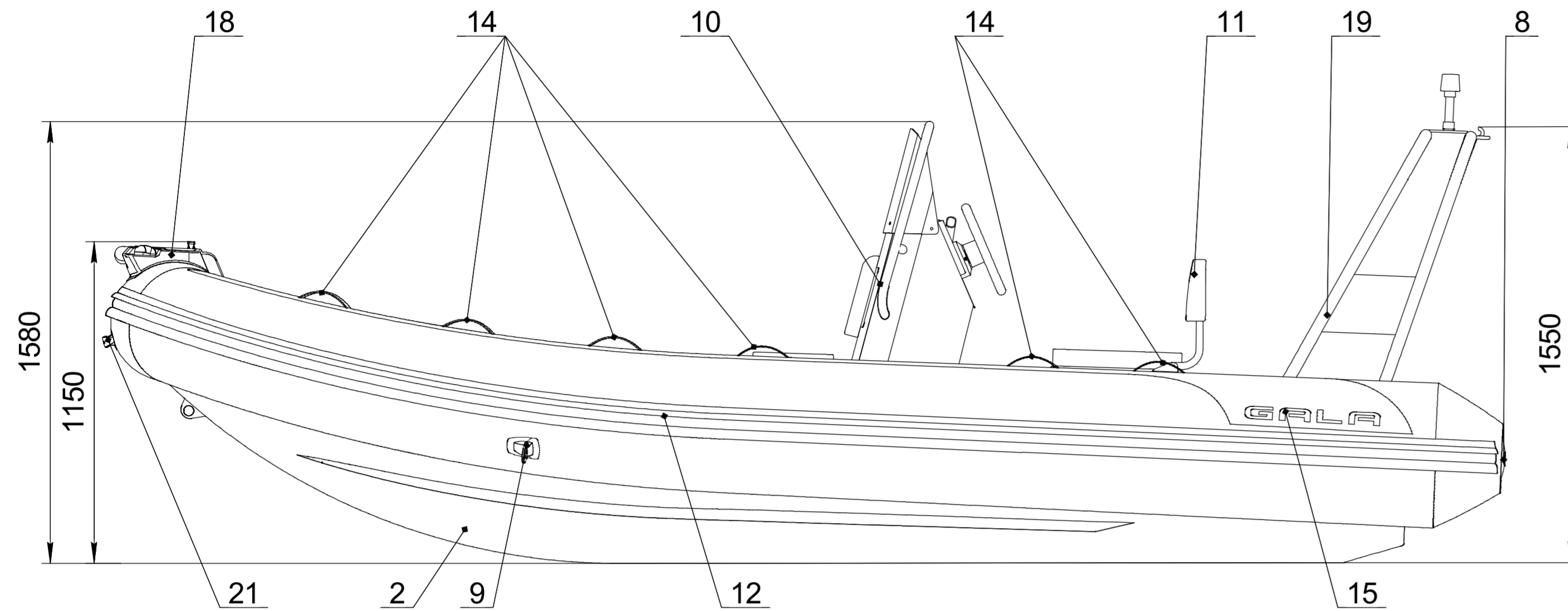


# Inflatable boat GALA Atlantis A500L

## Technical drawing



### Builder's plate

**GALA**  
INFLATABLE BOATS

Model **A500L**    **9** + **1**

**1000** kg    **2200** lbs

**66.2** kW    **90** HP    Type **VII**

**180** kg    **396** lbs    Cat. **C**

**0.2** bar    **2.89** psi    International Standard ISO/FDIS-6185

MADE IN UKRAINE  
GALA GLOBAL GROUP

"CALIBR PROFIT" LLC  
4, Matlakhova Str., Dnipro, UKRAINE

### Boat specification

Item	Item No	Description	Q-ty	Note
1		Inflatable tube for A500L	1	
2		Aluminum hull for A500L	1	
3		Antiskid decking	1	
4		Over-pressure valve	1	
5		Inflation-deflation valve	5	
6		Motor plate external	1	
7		Expanding drain plug	1	
8		Tube end, PVC	2	
9		Towing eye, PVC	2	
10		Steering console C-05	1	
11		Double seat S-03	1	
12		Rubbing strake	1	
13		Keel protector	1	
14		Safety grab handle	12	
15		GALA logo	2	
16		CIN plate	1	
17		Bow locker cushion	1	
18		Bow step plate №3 with roller	1	
19		Waterski towing arch	1	
20		Navigation light	1	
21		GALA handle, PVC	1	
22			1	

DRAWN	NAME	DATE	ITEM No:
CHECKED			TITLE:
ENG APPR.			<b>GALA Atlantis A500L</b>
MFG APPR.			
Q.A.			
PROPRIETARY AND CONFIDENTIAL THE INFORMATION CONTAINED IN THIS DRAWING IS THE SOLE PROPERTY OF CALIBR PROFIT LLC			SIZE: _____ DWG. NO: _____ REV: _____
			SCALE: 1:10    WEIGHT: _____    SHEET 1 OF 1