

Inflatable boat GALA Viking V330

Technical drawing

Builder's plate

GALA INFLATABLE BOATS

Model **V330** **5** + **1**

500 kg **1100** lbs

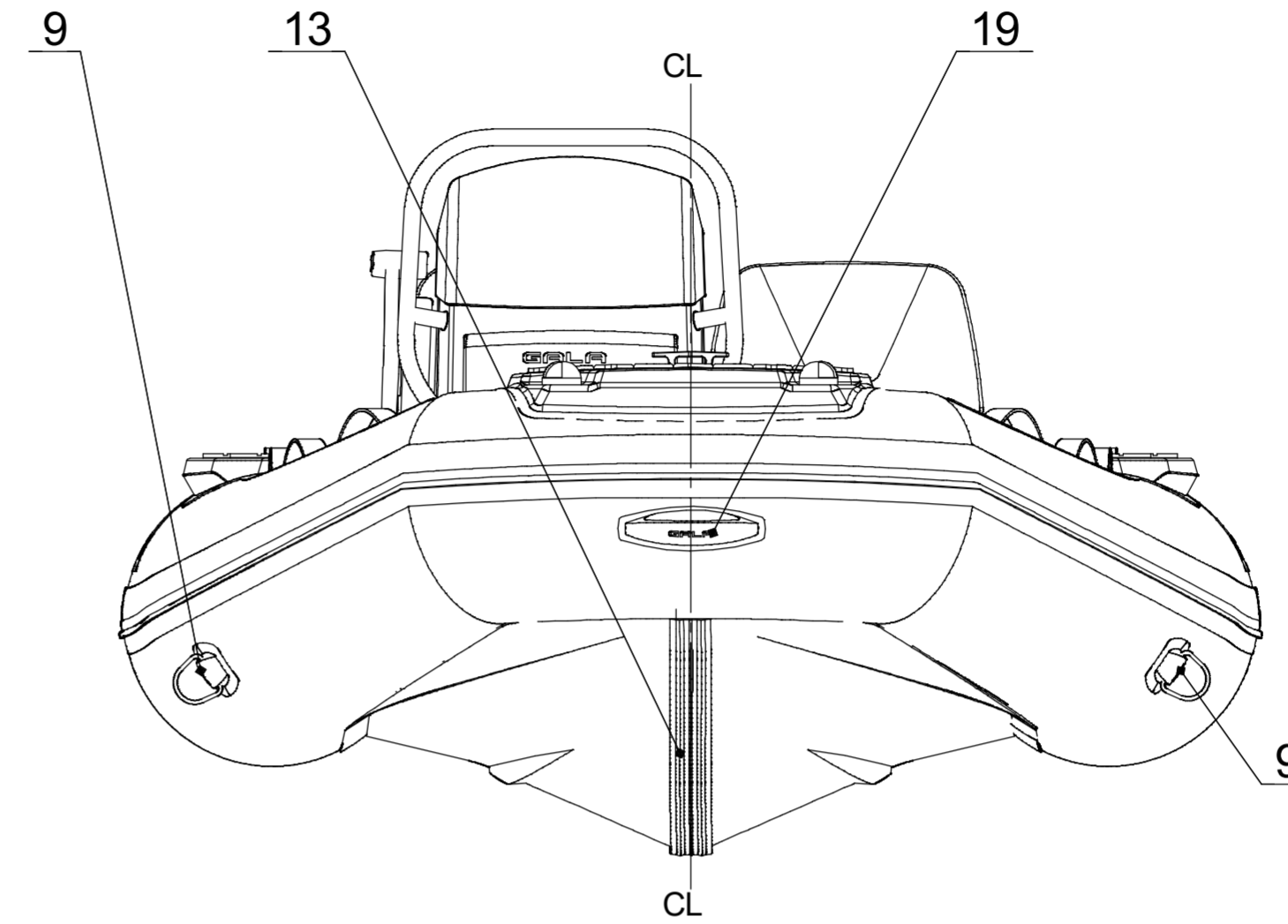
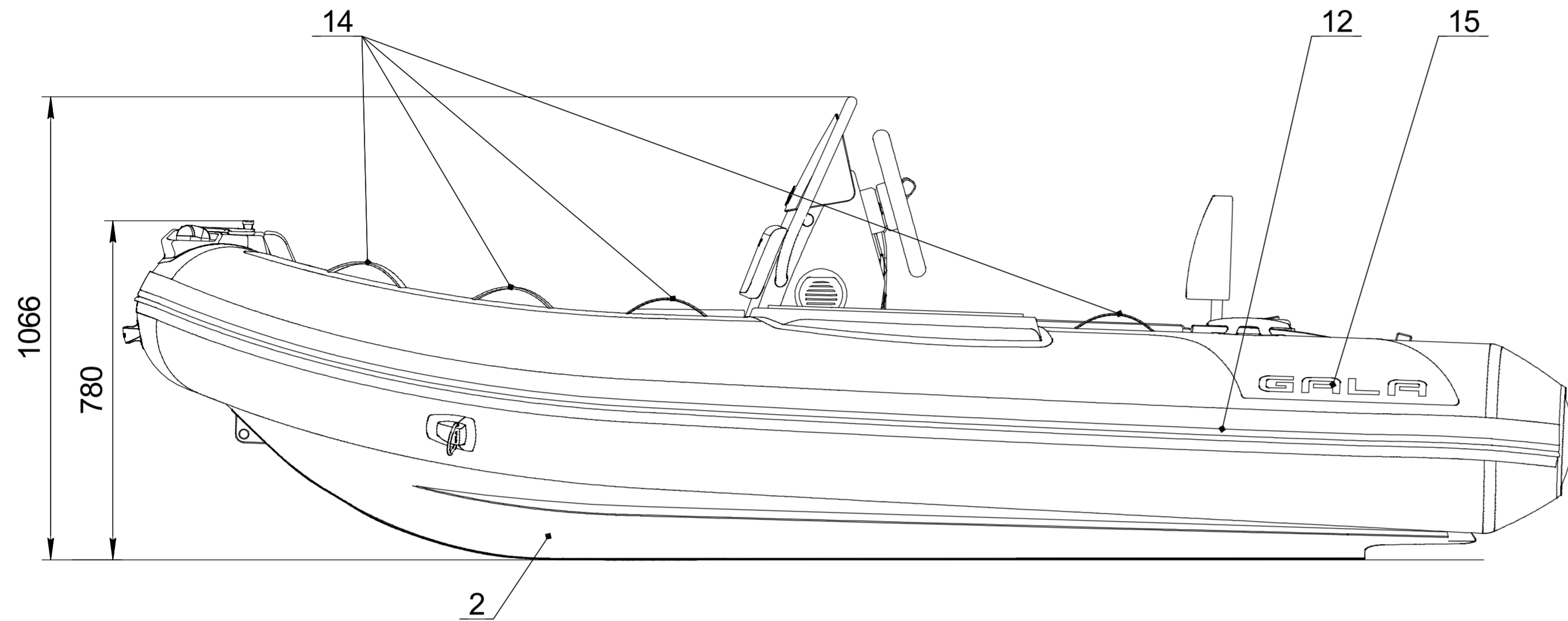
22.1 kW **30** HP Type **VII**

80 kg **176** lbs Cat. **C**

0.2 bar **2.89** psi International Standard ISO/FDIS-6185 **CE**

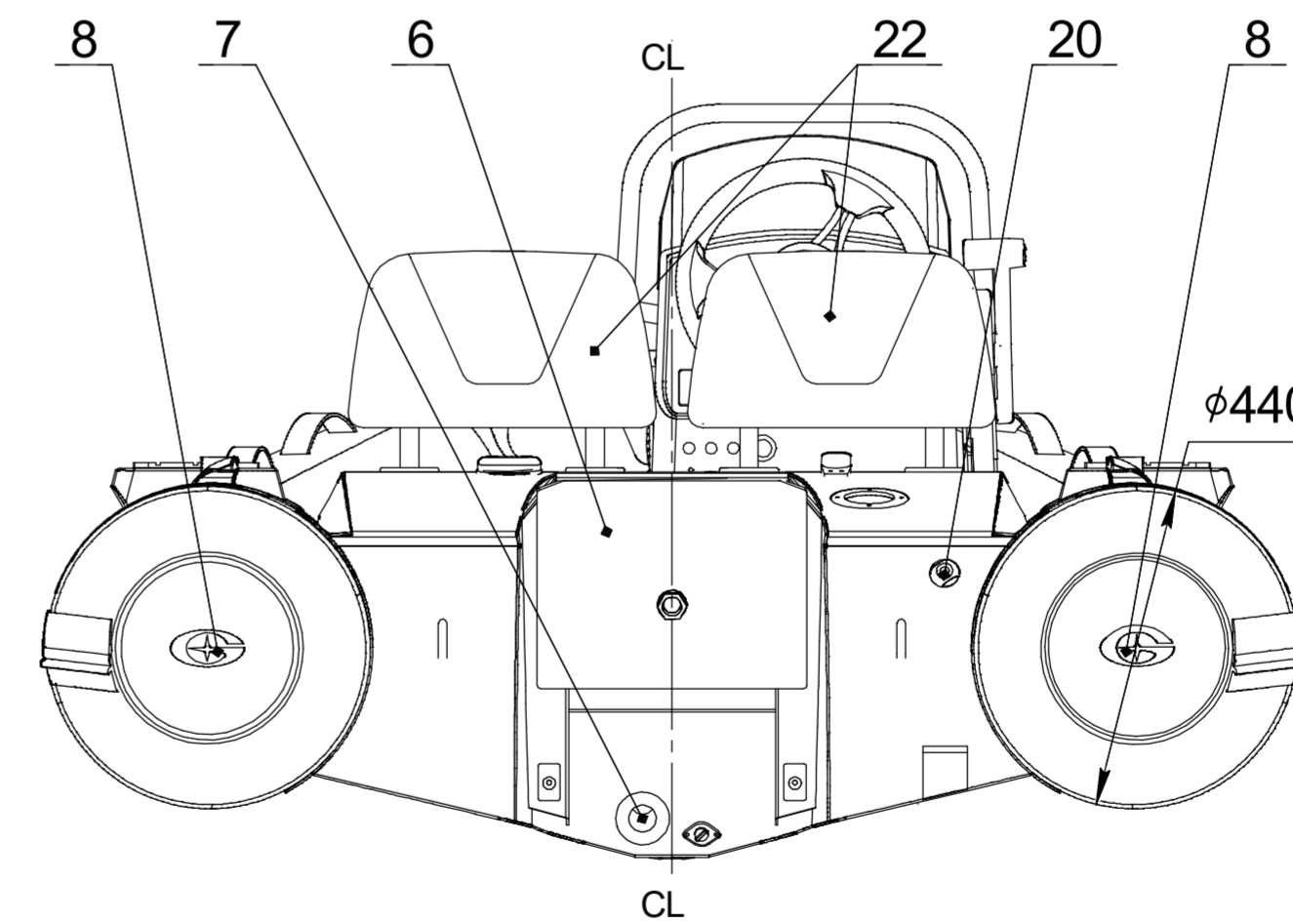
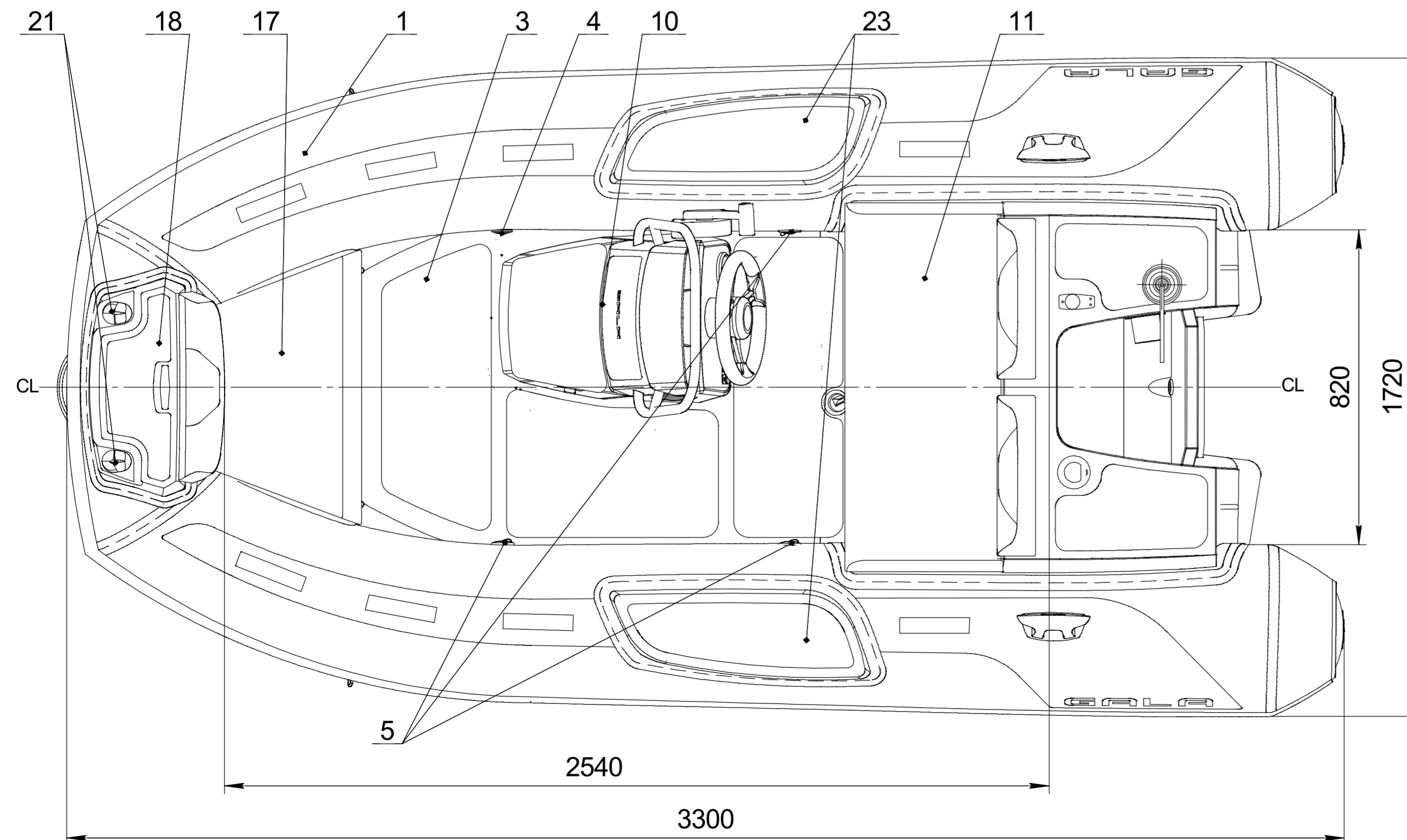
MADE IN UKRAINE

"CALIBR PROF" LLC
4, Matlakhova Str., Dnipro, UKRAINE



Boat specification

Item	Item No	Description	Q-ty	Note
1		Inflatable tube for V330	1	
2		Aluminum hull for V330	1	
3		Antiskid decking	1	
4		Over-pressure valve	1	
5		Inflation-deflation valve	3	
6		Motor plate external	1	
7		Expanding drain plug	1	
8		Tube end, PVC	2	
9		Towing eye, PVC	2	
10		Steering console C-02	1	
11		Rear locker soft cushion	1	
12		Rubbing strake	1	
13		Keel protector	1	
14		Safety grab handle	8	
15		GALA logo	2	
16		CIN plate	1	
17		Bow locker cushion	1	
18		Bow step plate №1	1	
19		GALA handle, PVC	1	
20		Bilge pump thru hull	1	
21		Navigation lights	1	
22		Reat soft back supports	2	
23		Side step panels	2	
24				
25				
26				
27				
28				



DRAWN	NAME	DATE	ITEM No:
CHECKED			TITLE:
ENG APPR.			GALA Viking V330
MFG APPR.			
Q.A.			SIZE
PROPRIETARY AND CONFIDENTIAL THIS DRAWING IS THE SOLE PROPERTY OF CALIBR PROF LLC			DWG. NO.
SCALE: 1:10			REV
WEIGHT:			SHEET 1 OF 1